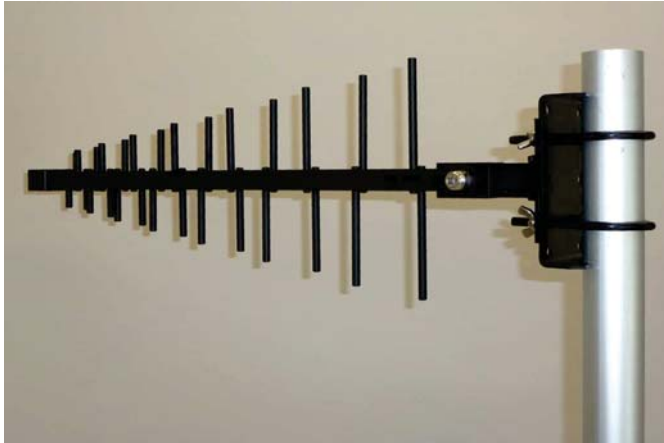


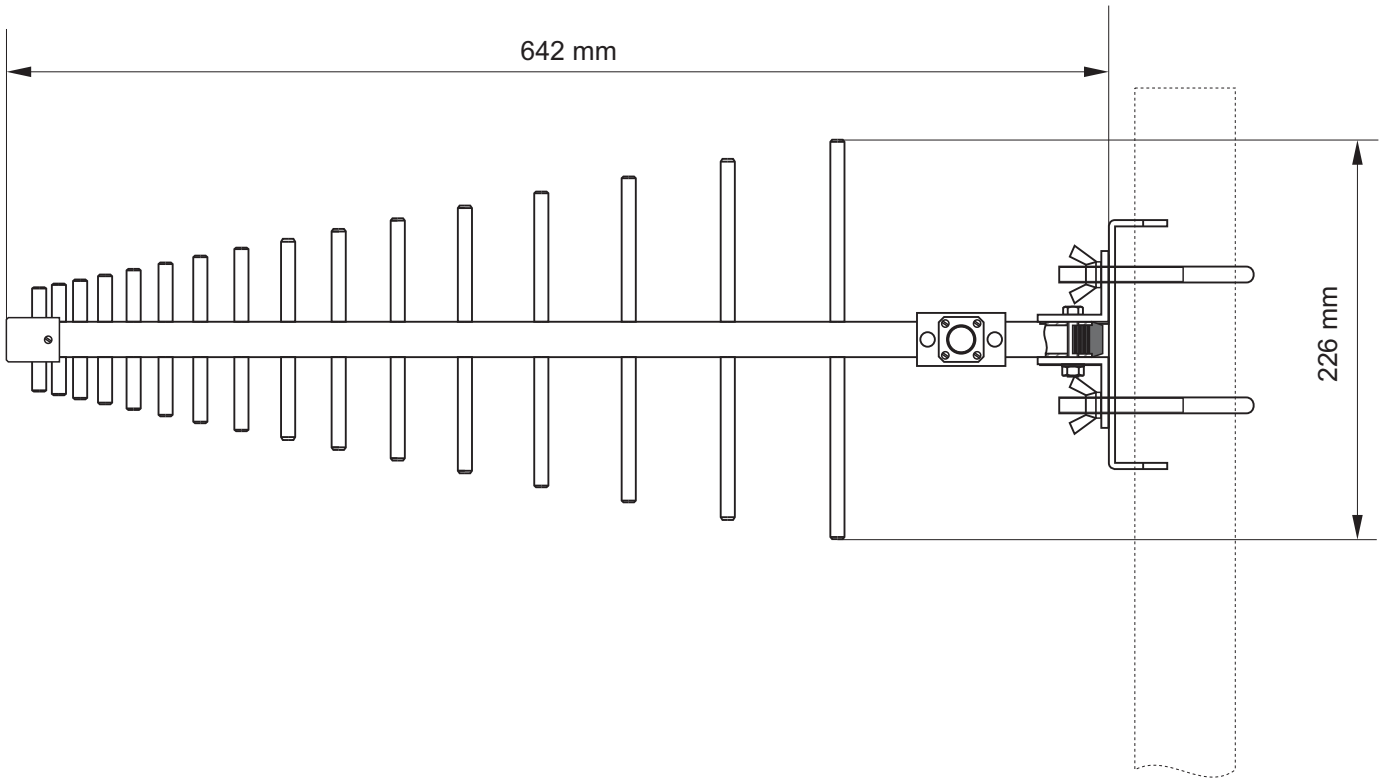
SWE-AD-22/E

The antenna AD-22/E is a log-periodic dipole antenna covering the frequency range from 700 to 2800 MHz. The antenna is mainly intended for use for broadcast, EMC applications, radio monitoring, jamming, etc. The antenna is composed of a boom element and 16 dipoles. All dipole elements and boom are made of aluminium alloy, protected with irridite finish and painted with two component UV resistant PU paint. The antenna support on the end enables mounting on masts with outer diameter between 1" (26 mm) and 2" (60 mm). The antenna could be used as transportable or as stationary.



Frequency range	700 - 2800 Mhz
Impedance	50 ohm
VSWR	< 2.5 (DIAG. 1)
Gain	typ. 8 dBi (DIAG. 2)
Front-to-back ratio	> 13 dB typ.
Polarization	HOR./VER.
Maximum power	150 W CW
Connector	N female
Length	730 mm
Width	225 mm
Mass	1,75 kg
Wind velocity	160 km/h
Temperature range	-55...+80 °C

Contact: enquiries@sysware-europe.com



AD-22/E

