

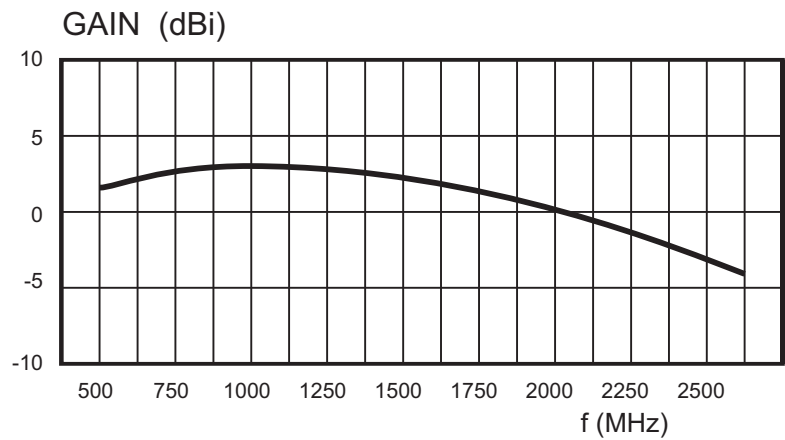
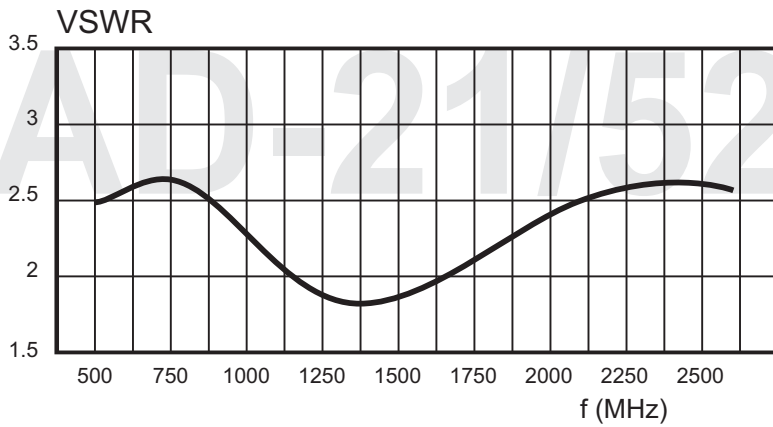
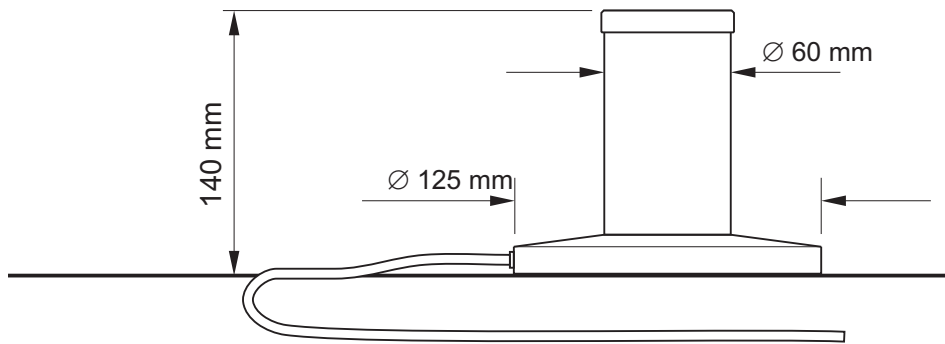
SWE-10-AD-21/5250-M

The antenna SWE-10-AD-21/5250-M is a wideband vertical polarised dipole covering frequency range from 500 to 2500 MHz and it is primarily intended for use with mobile radio and jamming devices. There is no need for tuning the antenna since the antenna broadband characteristics were achieved with a specially designed radiator. The antenna is painted with UV protective polyurethane black paint. Antenna has integrated magnet and coaxial cable length of 4 meters and ended with the FME female connector. Various adapters from FME to N, BNC, UHF, SMA, etc. are available on request.

Frequency range	500 - 2500 MHz
Impedance	50 ohm
VSWR	< 3 (see diagram)
Gain	see diagram
Polarization	VER.
Maximum power	100 W CW
Height	140 mm
Weight	800 gr.
Cable length	4 m
Input connector	N female (optional)
Wind velocity	180 km/h
Temperature range	-40....+70 °C



Contact email: enquiries@sysware-europe.com



Contact email: enquiries@sysware-europe.com



SystemWare Europe is a limited company registered in England.
 Registration No: 03916672, V.A.T Registration No: 738170820
 Registered Office: Phoenix House, 2 Phoenix Park, St Neots,
 Cambs, PE19 8EP England.