

SWE-10-AD-21/3512

The antenna SWE-10-AD-21/3512 is a wideband low-profile monopole mobile antenna covering frequency range from 30 to 512 MHz and is intended for use with portable and mobile radios. The antenna radiator is composed of two parts: the whip made of special strong and flexible stainless steel whip with spring at the bottom and the matching transformer unit above the N male coaxial connector. The radiator and the matching unit are painted with UV protective polyurethane black paint. The antenna radiator could be used as a separate antenna attached to the portable radio device or it can be used with the magnet base ADM-21/N or fixed base ADN-21/N, both with the integrated coaxial cable length of 4 meters and ended with the FME female connector. Various adapters from FME to N, BNC, UHF, SMA, etc. are available on request.

VERSIONS:

AD-21/3512-N: wideband monopole antenna for portable radio devices with N male connector

AD-21/3512-F: antenna **AD-21/3512-N** with the fixed mount **ADN-21/N** for mobile applications

AD-21/3512-M: antenna **AD-21/3512-N** with the magnet mount **ADM-21/N** for mobile applications

| | |
|--------------------|---------------------|
| Frequency range | 30-512 MHz |
| Impedance | 50 ohm |
| VSWR | < 3.5 (see diagram) |
| Max. power | 50 W CW |
| Gain | -12 0 dBi |
| Height | 1225 mm |
| Radiator Weight | 350 gr. |
| Magnet Base Weight | 700 gr. |
| Fixed Base Weight | 200 gr. |
| Cable length | 4 m |
| Input connector | FME female |

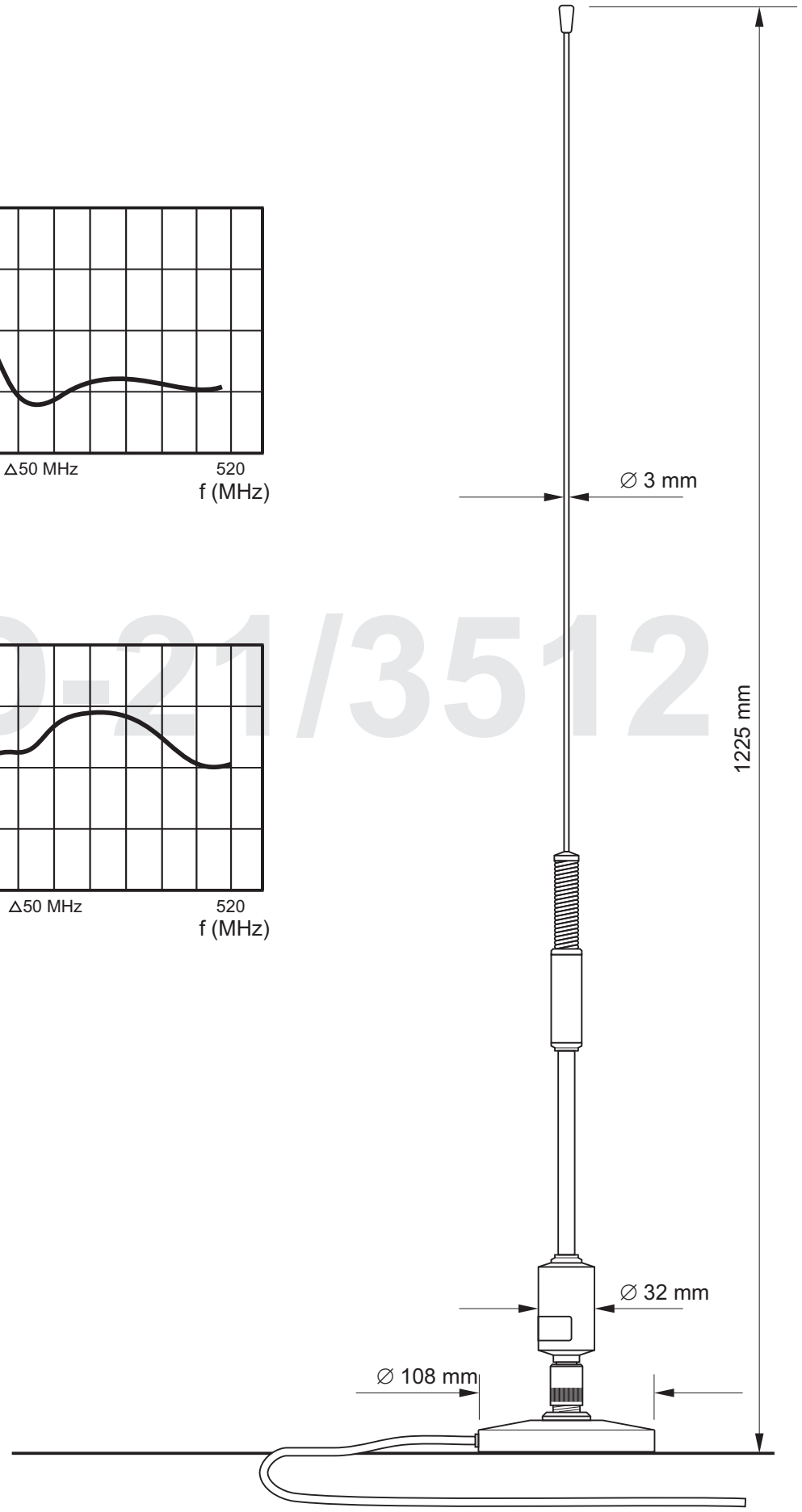
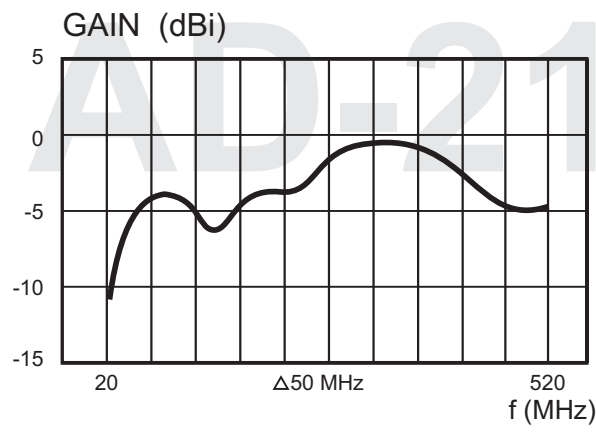
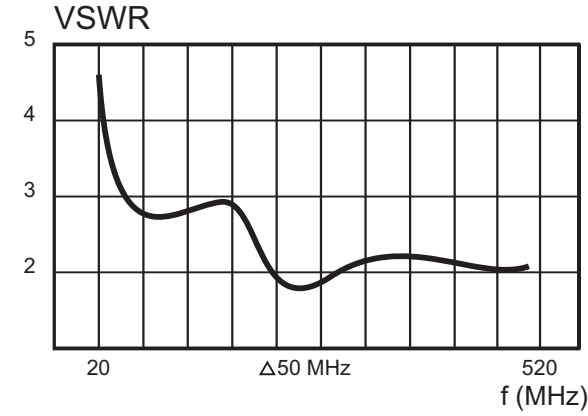


**Fixed mount
ADN-21/N**

**Magnet mount
ADM-21/N**

**Antenna
AD-21/3512-M**

Contact email: enquiries@sysware-europe.com



Contact email: enquiries@sysware-europe.com



SystemWare Europe is a limited company registered in England.
 Registration No: 03916672, V.A.T Registration No: 738170820
 Registered Office: Phoenix House, 2 Phoenix Park, St Neots,
 Cambs, PE19 8EP England.